



EL-400

Electric Wheel Loader



Compact Power. Zero Emissions.

The **BATT Loader EL-400** is the ideal electric loader for small to medium worksites needing real capability in tight or restricted access spaces. Designed to maximise productivity, the **EL-400** features a quick-hitch for fast attachment changes from inside the cab, full running lights, an ergonomic right-hand hydraulic joystick, an adjustable operator seat, and a suite of practical operator-focused features.

Twin electric drive motors — one on each axle — deliver true AWD traction, while a third independent electric motor powers the hydraulic system for consistent loader control.

With a turning radius of less than 2.5 metres the **EL-400** is exceptionally nimble, and with a 400kg maximum lift capacity it packs serious performance into a compact footprint.

Charging is simple with the included portable, air-cooled charger — easy to wall mount where suitable and plug into a 15 AMP power point.

Each **EL-400** is supplied standard with a general-purpose bucket for handling sand, dirt, mulch, gravel and other loose materials.

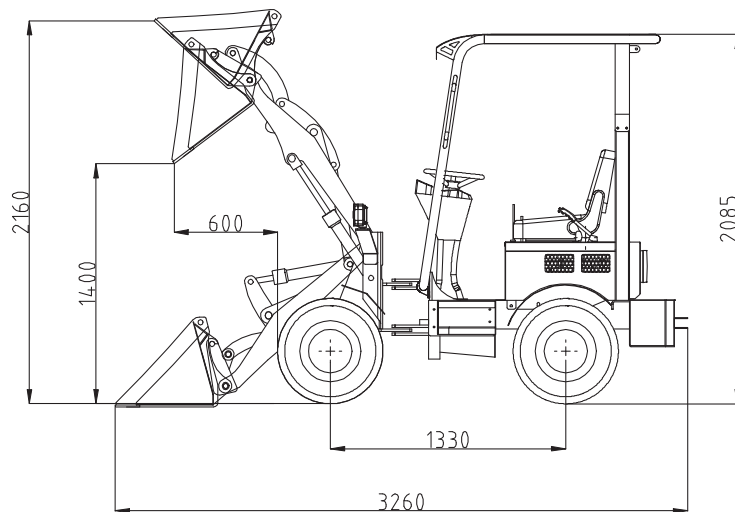


BATT Group Australia
Phone 1800 258 977

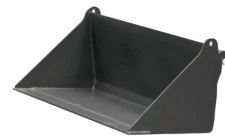
info@battgroup.com.au
www.battgroupaustralia.com.au

EL-400 Specifications

Rated load	400kg
Overall weight	1120kg
Bucket capacity	0.2 m ³
Max steering angle	35°
Min. steering radius	2520mm
Amplitude of the rear axle	7°
Charging time (approx)	8 hours
Battery type	Lead-acid maintenance free
Working time	6 hours
Working speed	Low speed 10km/h High speed 18km/h
Dumping height	1400mm
Lifting height	2160mm
Overall dimension	3260mm x 1140mm x 2085mm
Dumping distance	600mm
Bucket width	1040mm
Wheel base	1330mm
Wheel thread	840mm
Min. ground clearance	200mm
Battery model	6-EVF-150
Battery type	Lead-acid maintenance free
Battery quantity	5
Battery capacity	9kw
Rated voltage	60v
Walking system voltage	60v
Walking system power	2.5kw x 2
Motor quantity	2
Tyre model	6.00-12
Working brake	Drum oil brake
Parking brake	Drum handbrake



Available Attachments



General Purpose Bucket



Pallet forks



4 in 1 bucket



Mini Digger



Screening Bucket



Grapple Bucket



Grass forks



Round bale grab



Dozer blade



Screw drill



Sweeper



Wood Forks

