



EL-1200

Electric Wheel Loader



Powerful Performance. Zero Emissions.

The **BATT Loader EL-1200** is built for demanding loading applications—offering greater lifting power than our compact models while maintaining the same intuitive, operator-friendly controls. With a maximum lift capacity of 1200 kg, the **EL-1200** delivers the muscle you need for tough, everyday work.

Designed for efficiency and comfort, the **EL-1200** includes a hydraulic quick-hitch for rapid attachment changes from the operator's seat, a fully enclosed air-conditioned cab for year-round usability, full running lights, an ergonomic right-hand hydraulic joystick, an adjustable operator's seat, and a wide range of premium standard features.

Charging is effortless thanks to the supplied air-cooled charger, making routine battery top-ups simple and convenient via a 15AMP power point.

Every **EL-1200** comes equipped with a general-purpose bucket (with removable teeth) suitable for digging and handling sand, soil, mulch, gravel, and other loose bulk materials.

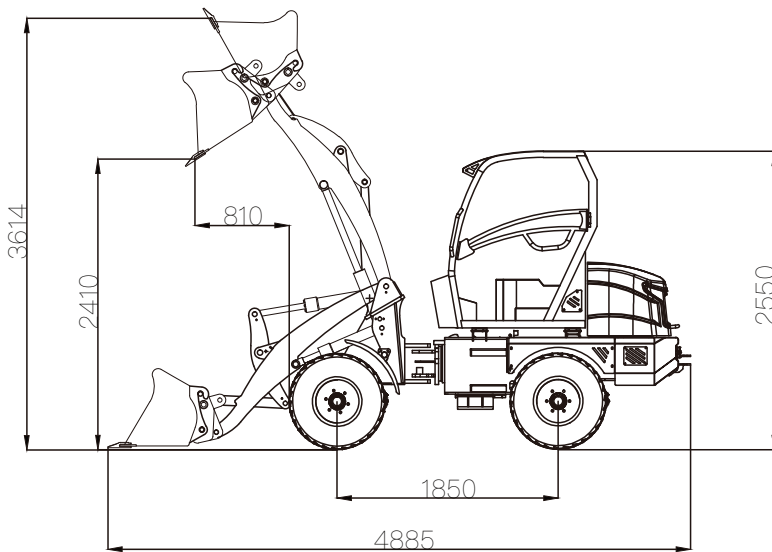


BATT Group Australia
Phone 1800 258 977

info@battgroup.com.au
www.battgroupaustralia.com.au

EL-1200 Specifications

Rated load	1200kg
Overall weight	3400kg
Bucket capacity	0.45 m ³
Max. steering angle	40°
Min. steering radius	3500mm
Amplitude of the rear axle	8°
Charging time (approx)	8 hours
Battery type	Lead-acid mainte
Working time	5 hours
Working speed	Low speed 10km/h High speed 20km/h
Dumping height	2410mm
Lifting height	3580mm
Overall dimension	4885mm x 1730mm x 2500mm
Dumping distance	860mm
Bucket width	1730mm
Wheel base	1835mm
Wheel thread	1185mm
Min. ground clearance	210mm
Battery model	TEV12-256
Battery type	Lead-acid maintenance free
Battery quantity	8
Battery capacity	25.4kw
Rated voltage	96v
Walking system voltage	96v
Walking system power	15kw
Motor quantity	2
Tyre model	31 X 15.5-15
Working brake	Drum oil brake
Parking brake	Drum handbrake



Available Attachments



General Purpose Bucket
(includes removable teeth)



Pallet forks



4 in 1 bucket
(includes removable teeth)



Mini Digger



Screening Bucket



Grapple Bucket



Grass forks



Round bale grab



Dozer blade



Screw drill



Sweeper



Wood Forks

